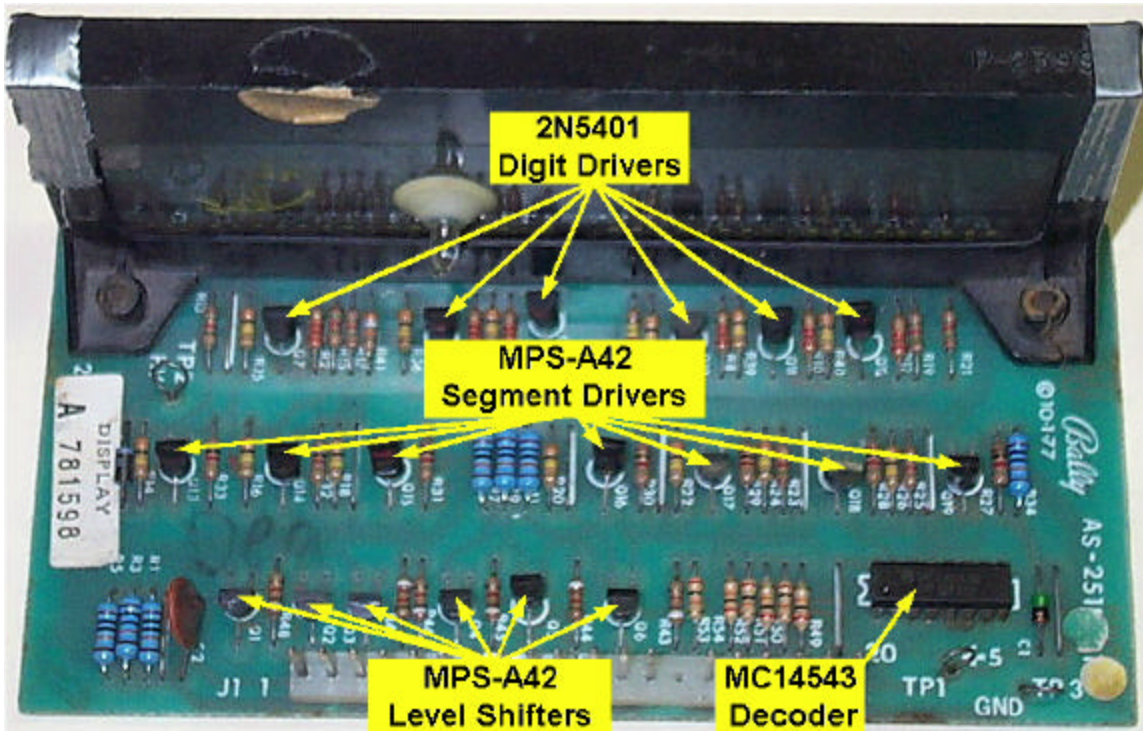
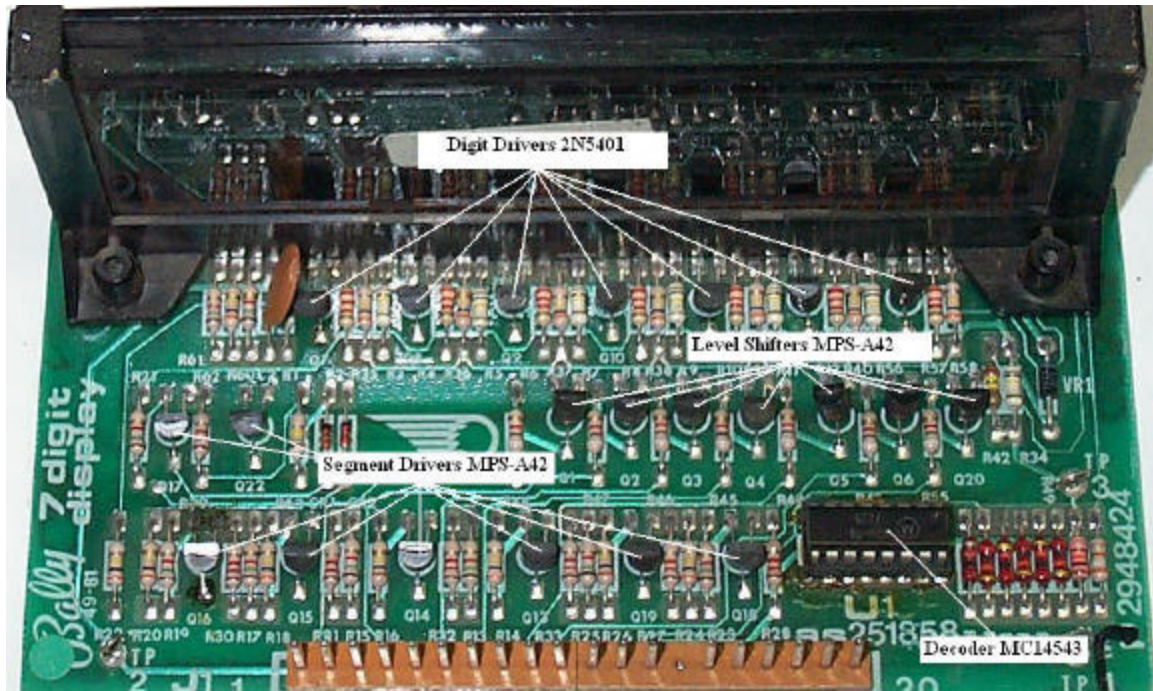


AS-2518-15 Six Digit Display Module



AS-2518-21 Six-Digit Display Module



AS-2518-58 Seven-Digit Display Module

On the two six-digit displays, you can see the upgraded 100K Ohm resistors (big blue ones). The seven-digit display has not been upgraded yet, but they're there, eight of them (brown-black-yellow). Be sure to upgrade your resistors even if the displays appear to be working fine. 1/4 Watt is just too small!

Notice the orientation of the decoder chip. The notch points to the left. There's an outline printed on the circuit board too, clearly showing the position of the notch. I recommend using a socket if and when you replace the decoder IC. That will make future repairs a lot easier.

Make sure you orientate the transistors properly too. The flat side on all of them point towards the glass display. Be careful to use the proper one as both the 2N5401 and MPS-A42 look a lot alike.

Finally, be sure to check the solder joints on the underside where the header pins are soldered. Cracks around the pins are real common and that will cause a lot of problems, flickering being the most common.